

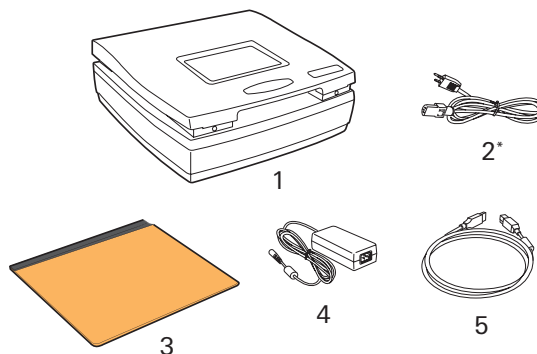
## Unpack the D-DiGit Gel Scanner

Unpack the box and check for the components.

1. D-DiGit Gel Scanner
2. Power cords

**Important:** Be sure to use the correct power cord for your country. If you need to use a Safety Approved plug adapter, be sure that the adapter is rated to 10Amp/250V. Do **not** use the US power cord with a plug adapter.

3. Viewing shield
4. Power adapter
5. USB Cable
6. Quick start guide



\*Only the US power cord is shown.

## Install D-DiGit Image Acquisition Software

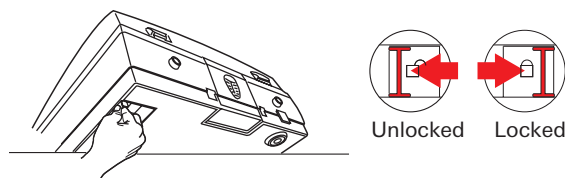
Ensure you have the correct permissions to install software on the computer you want to use.

**Note:** Install the software before connecting the scanner to the computer.

1. Download the D-DiGit Image Acquisition Software from [licor.com/ddigit-software](http://licor.com/ddigit-software).
2. Follow the installation instructions on the download page.

## Unlock Scanner

1. Ensure the scanner is powered off, and the power cord is unplugged.
2. With the rear panel of the scanner facing you, tilt the scanner and locate the locking switch underneath the scanner.
3. Push the locking switch to the left until the "unlocked" icon is showing, as indicated in the graphic at right.



**Figure 1.** When shipping the D-DiGit Gel Scanner, ensure the switch is in the locked position. See the manual for directions ([licor.com/ddigit-manual](http://licor.com/ddigit-manual)).

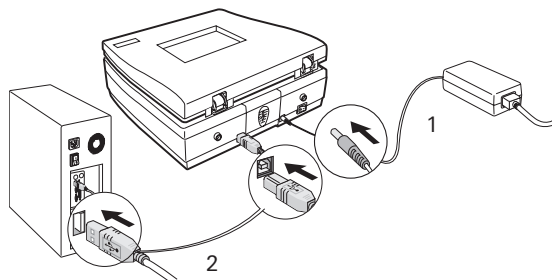
## Connect Power and USB Cables

### 1. Connect the power adapter

Connect the power adapter to the back of the scanner. Plug one end of the power cord into the power adapter and the other end into a wall outlet.

### 2. Connect the USB cable

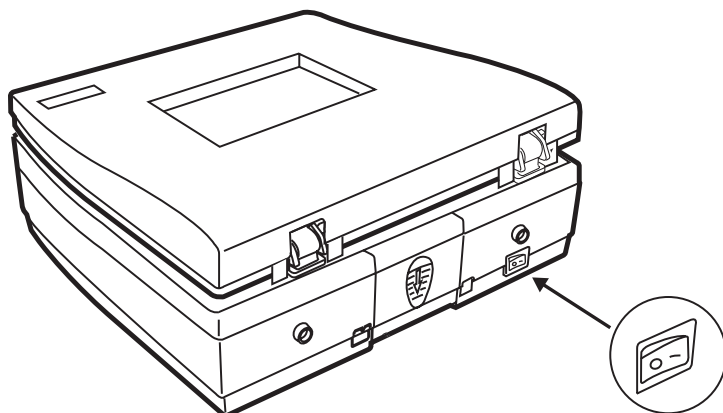
Connect one end of the USB cable to your computer and the other end to the scanner.



## Turn on the D-DiGit Gel Scanner

Flip the power switch on the back of the scanner so that the "I" is down.

You will know that the power is on if you can connect the scanner to the software in the next step.



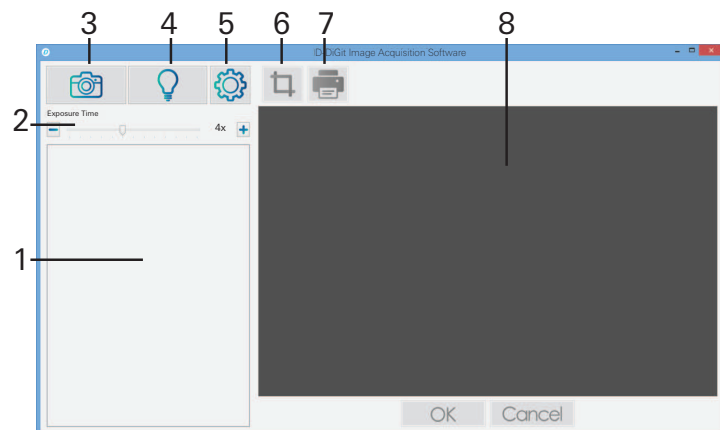
## Start D-DiGit Image Acquisition Software

Double-click the D-DiGit Image Acquisition Software shortcut  on the desktop. Once your D-DiGit Gel Scanner is detected, the D-DiGit Image Acquisition Software control panel will activate.

Once the control panel is active, you can use the D-DiGit Gel Scanner to scan, excise, or observe gels.

## D-DiGit Image Acquisition Software Overview

D-DiGit Image Acquisition Software allows you to capture images from the D-DiGit Gel Scanner. After capture, images can be imported into Image Studio™ Software for convenient analysis, annotation, and storage.



1. **Thumbnail view:** This area displays thumbnails of scanned images.
2. **Exposure Time:** Drag the slider to adjust exposure time.
3. **Image capture:** Click to start a scan.
4. **Light:** Click to activate the blue LED for gel excision or observation.
5. **Settings:** Click to open the Settings window where you can adjust scan settings, image file settings, and storage settings.
6. **Crop:** Crop the selected image.
7. **Print:** Print the selected image.
8. **Preview:** This area displays an enlarged view of the thumbnail selected in the Thumbnail view.

© 2021 LI-COR, Inc. LI-COR, D-DiGit, and Image Studio are trademarks or registered trademarks of LI-COR, Inc. in the United States and other countries.. All other trademarks belong to their respective owners.



4647 Superior Street • Lincoln, NE 68504 • United States • Toll free: 800-645-4267  
 Intl.: +1-402-467-0700 • [licor.com/bio](http://licor.com/bio)