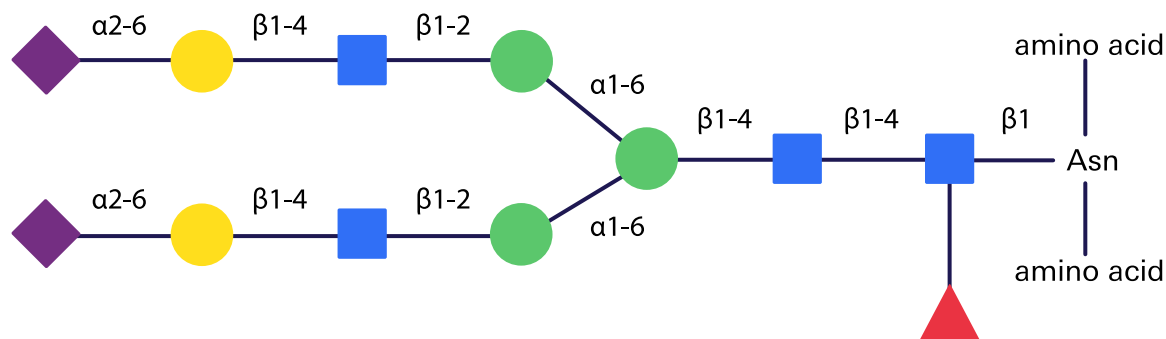


# Glycoprotein Detection on the Odyssey® Infrared Imaging Systems

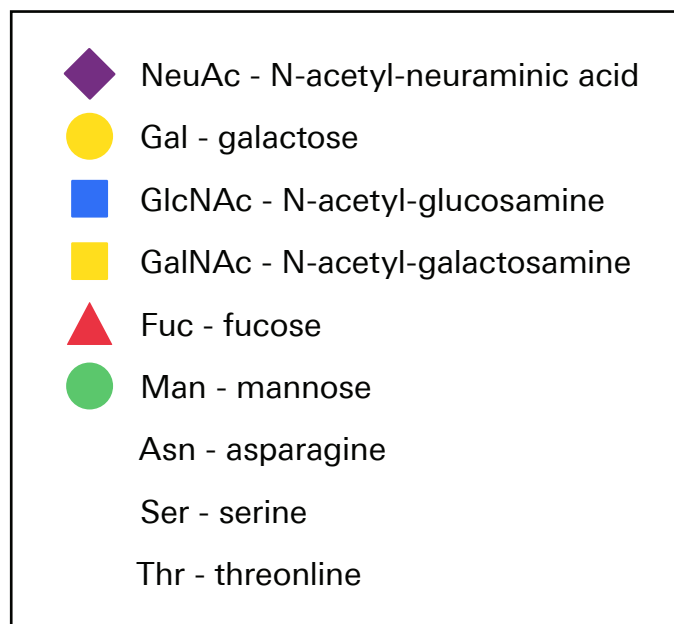
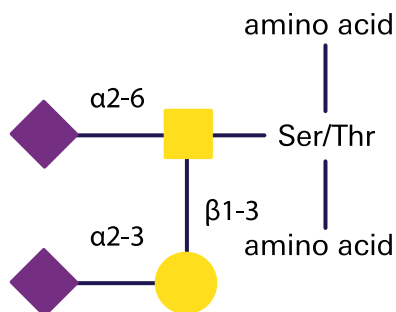
## Typical Glycan Structures

Glycosylation is an area of post-translational protein modification receiving more attention by researchers as potential cancer biomarkers. Attachment of the sugar chain to the protein determines whether the interaction is deemed N- or O-glycosylation. These interactions of the glycoprotein structure can be represented by symbol nomenclature. Typical glycan structures are shown here.

## N-Linked Glycan



## O-Linked Glycan



**LI-COR®**